



Protection - Control - Identification - Tracking - Rfid solutions

[www.leghorngroup.com](http://www.leghorngroup.com)



# General presentation

**Neptune seal: Container  
bolt lock seal  
ISO 17712:2013**

**Made by LeghornGroup**

## Neptune seal: ISO 17712:2013 Container bolt lock seal

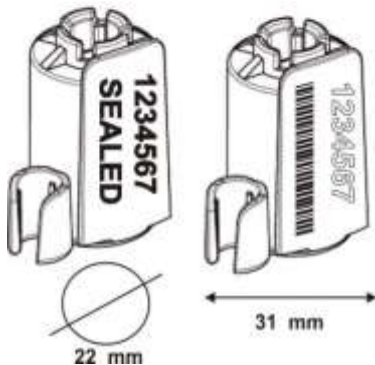
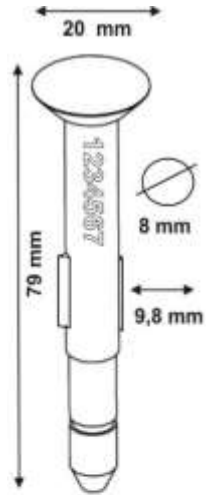


### SPECIFICATIONS:

**NEPTUNESEAL** is a bolt seal, compliant with high security international standard ISO 17712:2013 and specifically with the requirement of having the internal metal part exceeding 18 mm. The patent pending innovative mechanical design is characterized by two metal tabs attached to the bolt, which securely slot into the locking channel, thus preventing any breaching by high speed spinning of the female part of the seal. Any tampering attempt will give evidence of irreparable damage onto the bolt lock seal.

**Any Tampering attempt will damage the seal leaving it irreparable.**

**Photos and drawings are indicative**



### PRINTING AND NUMBERING:

LASER printing. Sequential numbering up to 15 digits. Barcode option  
Data Matrix option. RFID option. Customisation up to 20 characters on one  
line. Customer logo on request. For substantial orders it's possible to  
recreate . Company logo in relief

### MATERIAL:

Plastic parts: Polystyrene with pigment paint compliant with safety  
requirement of RoHS – *Restriction of Hazardous Substances*, European  
Directive 2002/EC.

### CERTIFICATES:

Compliant with ISO 17712:2013 HSS (high security seal)  
ISO/PAS 17025 LAB APPROVED

**PACKAGING:** 250 pcs per box. Box size : 39x19x16cm. Box weight: 13,3 kg

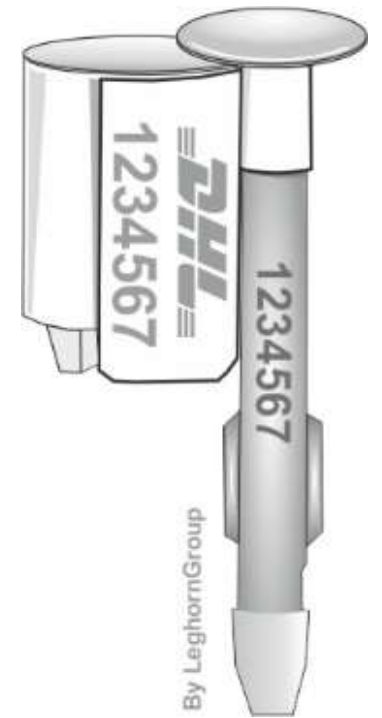
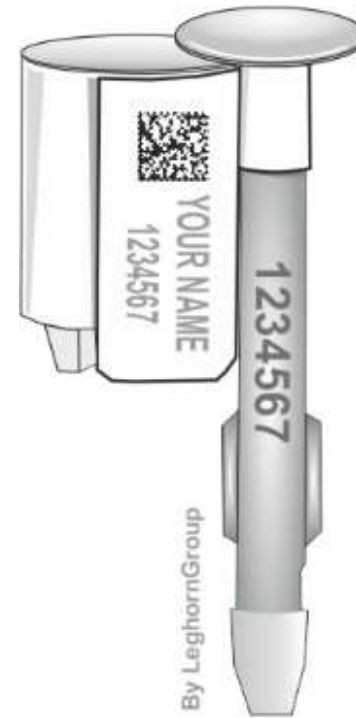
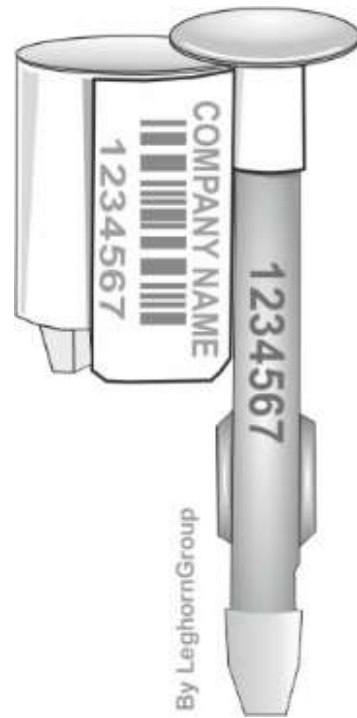
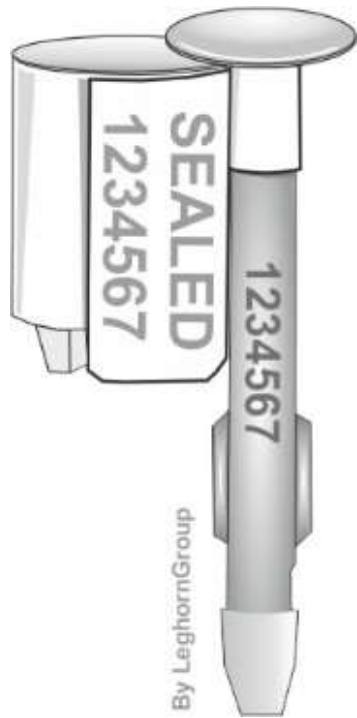
Photos and drawings are indicative

## Neptune seal: ISO 17712:2013 Colors examples



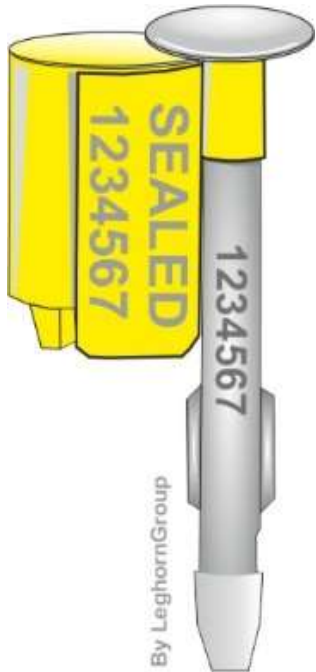
Photos and drawings are indicative

## Neptune seal: ISO 17712:2013 Customizations examples



Photos and drawings are indicative

## Neptune seal: ISO 17712:2013. NEEDED CERTIFICATES (1/2)



Product certificate attesting its compliance to the specification of the standard ISO 17712:2013. (Dayton Brown)

This certificate applies only to the product and is issued by ISO 17025 qualified laboratories.

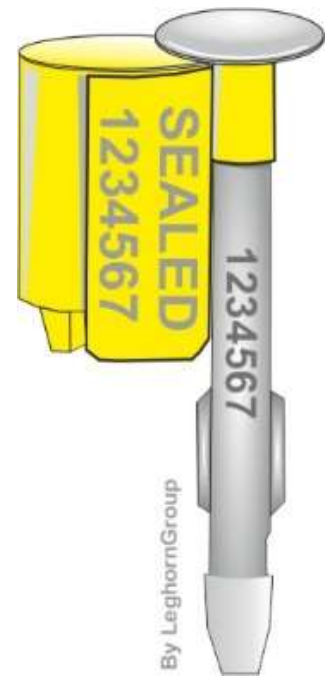


Certificate of Conformance For Freight Container Mechanical Seal Testing ISO 17712:2013.





## Neptune seal: ISO 17712:2013. NEEDED CERTIFICATES (2/2)



Declaration of an International Certification Body (e.g. SGS) certifying that the seal manufacturer has adopted best practices that ensure the compliance of the seal itself to the conditions set in Clause 6 of the standard ISO 17712:2013.

Certification of the seal manufacturer's Quality System in compliance with UNI EN ISO 9001:2015.



**Please ask for ISO 17712:2013 Certifications catalog. Code 7401-A508**

**Photos and drawings are indicative**

## How to use












**Fully plastic covered security seals duplicated in 3D**



**Neptune seal  
(NO)**



## Field of action of LeghornGroup

-  **PROTECTION:** We can protect your goods and assets with security seals and various products for tamper protection. The company can create bespoke, technical solutions to meet client's requirements.
-  **CONTROL:** We ensure goods and people can be monitored using security products and integrated complete hardware and software solutions that allow the operator to monitor and intervene in real time, even remotely.
-  **IDENTIFICATION:** LeghornGroup's understanding of authentication along with their innovative technical products and solutions allow users to uniquely and securely identify, goods, vehicles, containers, animals and people.
-  **TRACKING:** LeghornGroup's real time GPS tracking devices allow users to monitor location, status and movements of vehicles and people.
-  **RFID SOLUTIONS:** LeghornGroup also manufactures solutions for product authenticity; automatic identification systems using RFID to aid traceability of objects, animals and people, offering new and efficient operations to speed up the supply chain;



Protection - Control - Identification - Tracking - Rfid solutions

[www.leghorngroup.com](http://www.leghorngroup.com)

**FINDUS@**

[info@leghorngroup.com](mailto:info@leghorngroup.com)



**LeghornGroup** S.r.l.

34/36 Via degli Arrotini

57121 Livorno (LI) Italy

[www.leghorngroup.com](http://www.leghorngroup.com)

[info@leghorngroup.com](mailto:info@leghorngroup.com)

**LeghornGroup** – India  
[www.leghorngroup.in](http://www.leghorngroup.in)

**LeghornGroup** – Italy  
[www.leghorngroup.it](http://www.leghorngroup.it)

**LeghornGroup** – U.S.A.  
[www.leghorngroup.com](http://www.leghorngroup.com)

**LeghornGroup** – Belgium  
[www.leghorngroup.be](http://www.leghorngroup.be)  
[www.leghorngroup.nl](http://www.leghorngroup.nl)

**LeghornGroup** – Czech Republic  
[www.leghorngroup.cz](http://www.leghorngroup.cz)  
[www.leghorngroup.pl](http://www.leghorngroup.pl)

**LeghornGroup** – Greece  
[www.leghorngroup.gr](http://www.leghorngroup.gr)

**LeghornGroup** – Republic of  
Moldova  
[www.leghorngroup.ro](http://www.leghorngroup.ro)

**LeghornGroup** – España  
[www.leghorngroup.es](http://www.leghorngroup.es)

**Photos and drawings are indicative**